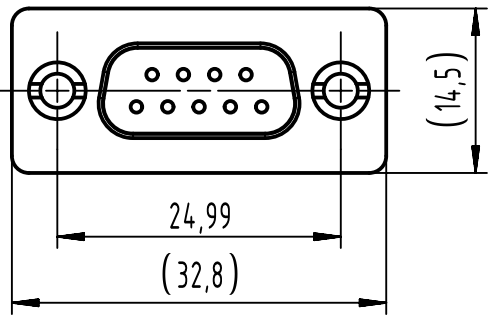
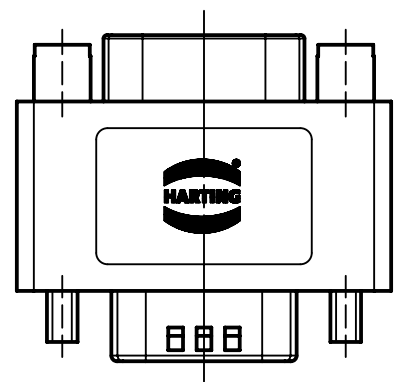
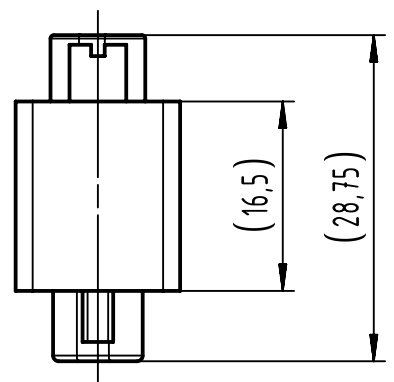
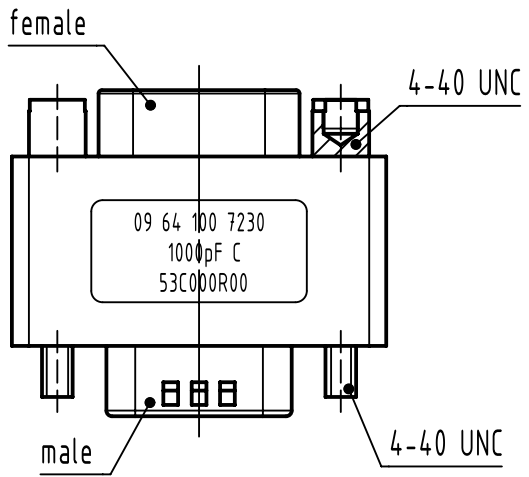


1 2 3 4 5 6

A
B
C
D



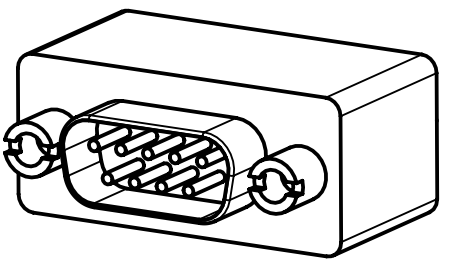
Specifications

Filter type C
 Capacitance 1000pF +/- 20% @ max.100V
 Current rating 6.5A

Minimum insertion loss

Frequency (MHZ)	Attenuation (dB)
5	1
10	3
50	12
100	20
500	34
1000	30

note: Jack-screws are not pre-mounted to allow mounting from ends



	All Dimensions in mm Original Size DIN A4		Scale 2:1	Free size tol.		Ref. Sub.		
	All rights reserved Department EL PD		Created by ZHUANGJ	Inspected by LUOK	Standardisation 302077	Date 2021-06-02	State Final Release	
HARTING D-32339 Espelkamp			Title Male/Female D-Sub filter adapter 9-pole 1000pF				Doc-Key / ECM-Nr. 100958279/UGD/000/A 500000195946	
			Type TB	Number 09641007230		Rev. A	Page 1/1	